

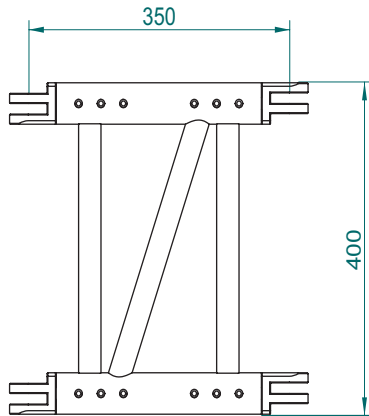
Description	Specification
External dimensions (height x width)	400 mm x 400 mm
Distance between axis	350 mm x 350 mm
Lenghtways tubes	Extruded aluminium EN AW 6082 T6 - Ø50x4 mm
Crossways tubes	Extruded aluminium EN AW 6082 T6 - Ø30x3 mm
Connecting fork	Aluminium EN AW 6082 T6
Welding process	TIG -141 / ISO 4063
Available length (cm)	100 - 130 - 200 - 300
Connection systems	KHLP

Section Area (mm ²)	Moment of inertia Y - axis (mm ⁴)	Moment of inertia Z - axis (mm ⁴)	Selfweight (approx.) (N/m)			
2312	60.713.500	60.713.500	125			

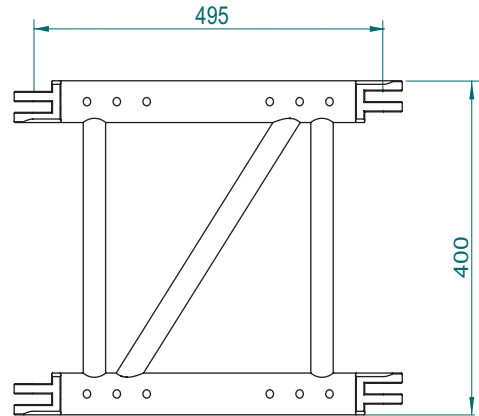
Span [m]	Centre Point Load (C.P.L.)			Third Point Load (T.P.L.)			Quarter Point Load (Q.P.L.)			Fifth Point Load (F.P.L.)			Uniformly Distributed Load (U.D.L.)		
	Point Load [kg]	Full Load [kg]	Central Deflection [mm]	Point Load [kg]	Full Load [kg]	Central Deflection [mm]	Point Load [kg]	Full Load [kg]	Central Deflection [mm]	Point Load [kg]	Full Load [kg]	Central Deflection [mm]	Load [kg/m]	Full Load [kg]	Central Deflection [mm]
	3	2600	2600	3	1521	3043	3	1110	3331	3	884	3535	3	1579	4736
4	2264	2264	6	1360	2720	6	1010	3031	6	814	3256	7	1173	4693	8
5	2004	2004	11	1229	2458	11	926	2778	12	754	3016	12	891	4456	15
6	1790	1790	17	1119	2239	18	854	2562	19	702	2809	20	692	4151	24
7	1620	1620	24	1027	2055	26	793	2378	28	657	2628	29	549	3842	35
8	1480	1480	33	947	1895	36	738	2213	39	616	2465	41	445	3561	49
9	1358	1358	43	879	1757	48	690	2069	52	580	2320	55	362	3260	64
10	1253	1253	55	818	1636	61	647	1940	67	546	2184	72	301	3007	82
11	1160	1160	69	764	1527	77	608	1824	85	504	2015	89	253	2779	101
12	1079	1079	84	715	1430	95	573	1720	105	467	1867	108	212	2587	121
13	1006	1006	101	671	1342	114	541	1622	127	434	1736	130	179	2407	143
14	941	941	120	631	1262	136	512	1536	152	405	1621	153	153	2240	165
15	881	881	141	595	1190	159	484	1453	178	379	1514	178	131	2078	190
16	827	827	163	561	1121	185	460	1380	208	355	1419	205	114	1944	216
17	779	779	187	530	1061	212	430	1291	237	333	1333	234	99	1813	244
18	733	733	213	501	1003	242	404	1211	268	313	1253	265	87	1693	273
19	691	691	240	475	950	274	379	1136	300	295	1179	298	77	1590	304
20	652	652	270	450	899	308	356	1069	335	278	1111	333	68	1496	337

Load table has been prepared in accordance with UNI ENV 1999-1-1 (Eurocode 9).
 When calculating the allowable loads shown in the table, it is assumed that the trusses are simply supported at the end connection and that static loads will be applied to the node points.
 The application of the load shall be on the centre line of the truss.
 The values shown in the table are the allowable statics loads that can be applied to the truss. This is the live load or the payload.
 The self weight of the truss has been taken into account when calculating the values in the table.
 It should be noted that this are idealised loading condition and the User shall re-analyze the truss for the loading condition which prevail for the application begin considered.

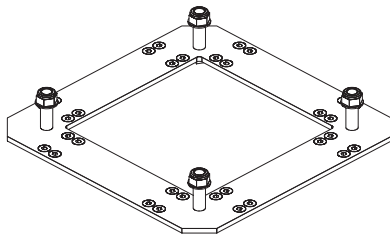
Date of issue 31/07/2008	Litec is a Brand of Staging Systems Europe S.p.A. www.litectruss.com - info@litectruss.com	
-----------------------------	--	--



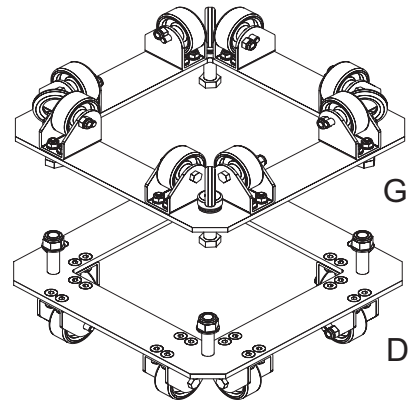
FL40035P



FL40049M5P



MTC30F



MTC30G / MTC30D

GATES AND ACCESSORIES

Code	Dimensions (cm)	Weight (Kg)
FL40035P	40 X 35 X 5	3,5
FL40049M5	40 X 49,5 X 5	4,1
MTC30F		
MTC30G / MTC30D	48 X 48 X 1	4,2
KHLP	Ø 2	0,15

TRUSS

Code	Dimensions (cm)	Weight (Kg)
QL40100A	40x40x100	14.70
QL40130A	40x40x130	17.50
QL40200A	40x40x200	25.30
QL40300A	40x40x300	36.20

RINGS

Curves, rings and ellipses are available on demand	
Minimum diameter	4 m
Diameter measurement	external
Weight per meter	(aprox.) 12 Kg